



Z-ZN 6" Series

Multi-stage centrifugal submersible pumps for clean water in 6" wells. Made of AISI 304 or AISI 316 stainless steel. These durable and lightweight pumps assure high-efficiency, low maintenance costs and ease of management. Their main characteristics include the possibility of replacing the impeller inlet wear ring. Available in the high-pressure version to guarantee heads of up to 700 metres. Can be coupled to all NEMA-standard motors.

SPECIFICATIONS

Delivery: up to 78 m³/h

Head: up to 700 metres (high-pressure version)

Power supply: three-phase
50 and 60 Hz

Three-phase version: 380-415 V

Power: 0.55 kW to 55 kW

Can be coupled with L4C, L6W and L8W three-phase asynchronous motors in a coolant bath.

Maximum overall diameter of pump (two cable covers included): 144 mm (standard version), 195 mm (high-pressure version)

Water temperature: 0°C to +60°C (depending on the limits of the associated motor)

Maximum permissible quantity of suspended sand: 100 g/m³

MATERIALS

Delivery port, non-return valve, diffuser, impeller, cable cover, lower support, pump shaft, coupling, spacer, screws, tie-rods: Stainless steel

Thrust bearing: PTFE

Wear ring: Technopolymer PPO

Upper bearing: tungsten carbide

Shaft guide bearing: polyurethane

Elastomers: EPDM

APPLICATIONS

- Water supply
- Pressure boosting
- Irrigation
- Fire-fighting
- Mining industry
- Golf
- Groundwater level control



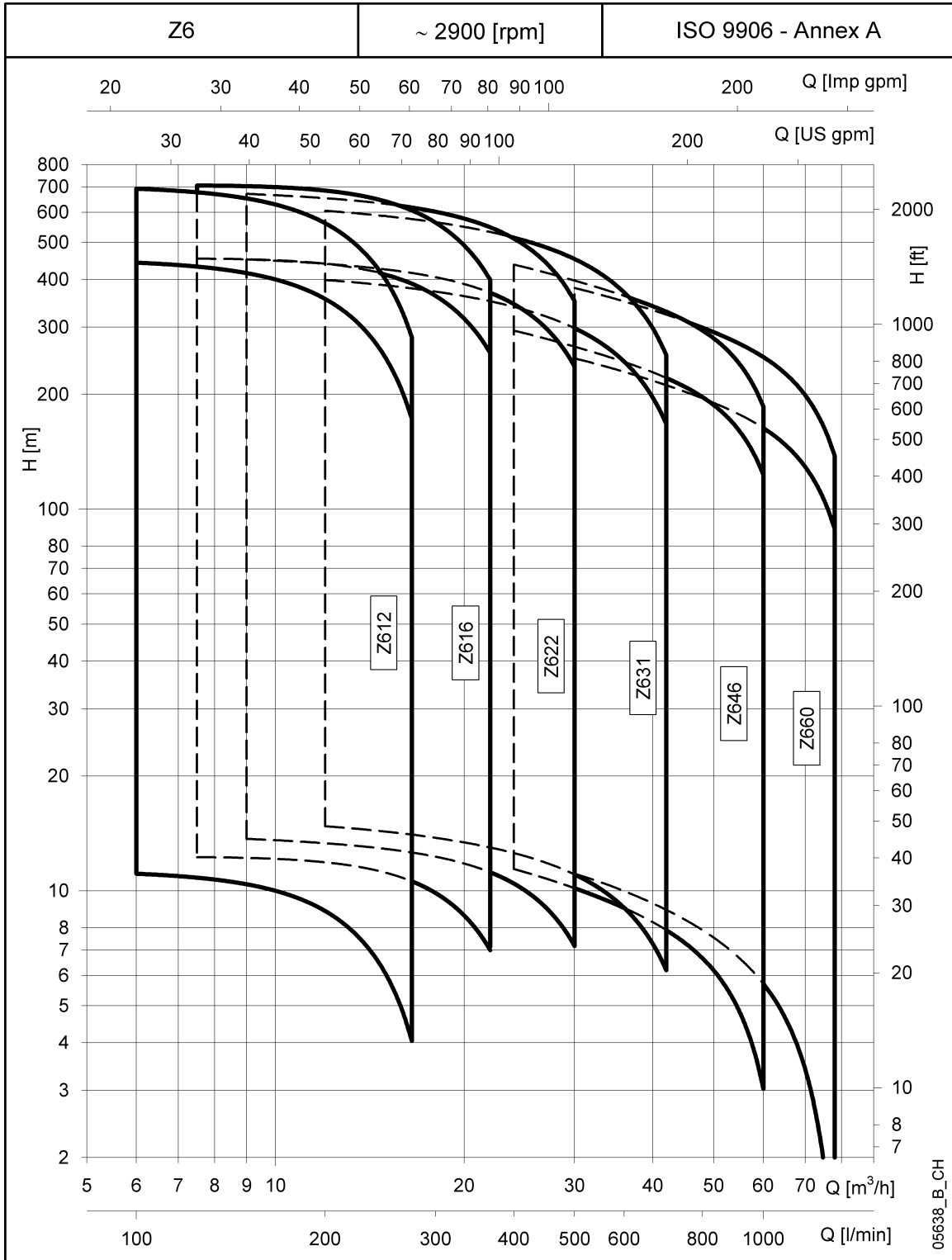
For a complete list of technical information, consult www.lowara.com

Engineered for life



Z6 SERIES

HYDRAULIC PERFORMANCE TABLE AT 50 Hz



Engineered for life

4

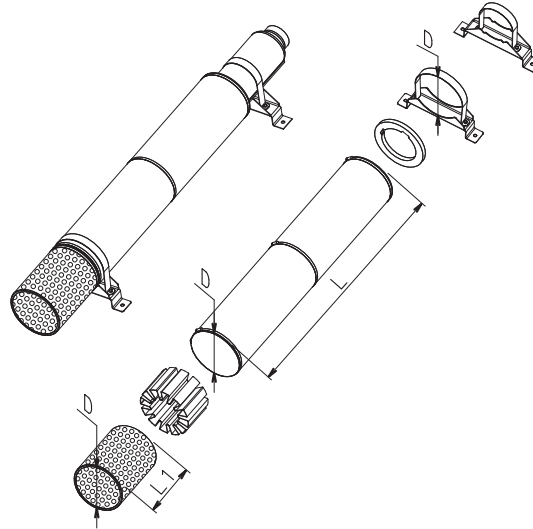
05638_B_CH



General Catalogue

COOLING SHROUDS

01890_B_DD



4

Z6 SERIES PUMP AND 4" AND 6" MOTOR SELECTION TABLE

PUMP TYPE	MOTOR TYPE				COOLING SET SHROUD (D x L)	COOLING SET FILTER (D x L1)	COOLING SET BRACKETS (D)
	40S/B	L4C	L6C	L6W			
Z612 Z616 Z622 Z631 Z646	0,55	0,55			D160X800	D160X158	D160 - 2pcs
	0,75	0,75					
	1,1	1,1					
	1,5	1,5					
	2,2	2,2					
	3	3					
	4	4					
Z660	5,5	5,5			D160X1000	D160X158	D160 - 2pcs
	7,5	7,5					
	4	4					
Z612 Z616 Z622 Z631 Z646			3	3	D180X1000	D180X192	D180 - 2pcs
			4	4			
			5,5	5,5			
			7,5	7,5			
			9,3	9,3			
			11	11			
			-	13			
			15	15			
			18,5	18,5			
			22	22	D180X1500	D180X192	D180 - 3pcs
			-	26			
			30	30			
			37	37			
	Z660			4	4	D200X1000	D200X192
			5,5	5,5			
			7,5	7,5			
			9,3	9,3			
			11	11			
			-	13			
			15	15			
			18,5	18,5			
			22	22	D200X1500	D200X192	D200 - 3pcs
			-	26			
			30	30			
		37	37				

Note: Not available for high pressure version.

z6_kit-raf50-en_b_ta

Engineered for life